

DATE	BY	ARRANGEMENTS
05/12/03	BM	BENCHTOP LIQUID WASTE
12/12/03	BM	NOTE ADDED ETC.
06/01/04	BM	SECTION UPDATED

Dwg. plotted: 10:36am on 3-Jun-04

DATE	BY	CHECKED	APPROVED
01/12/03	BM		

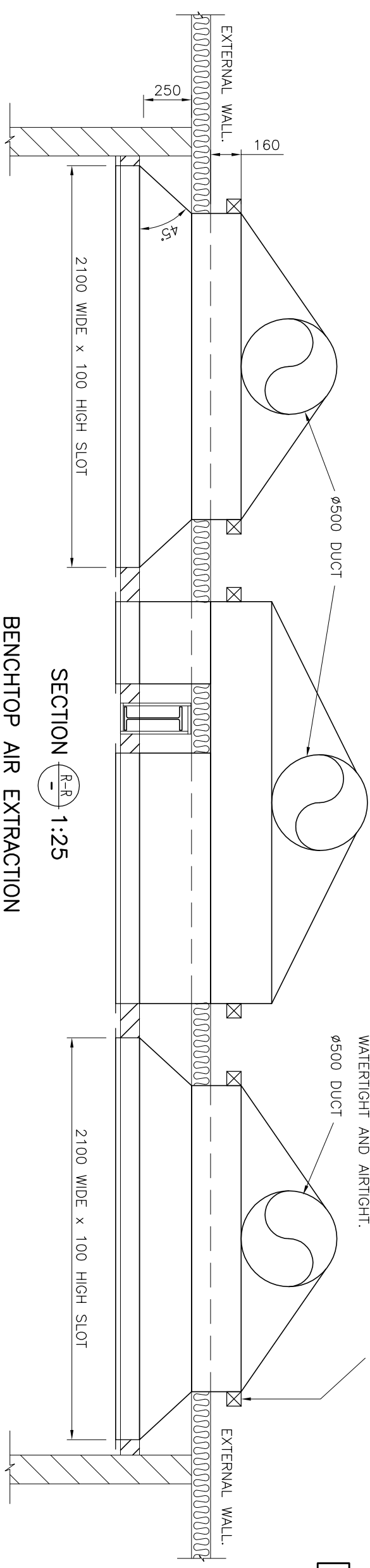
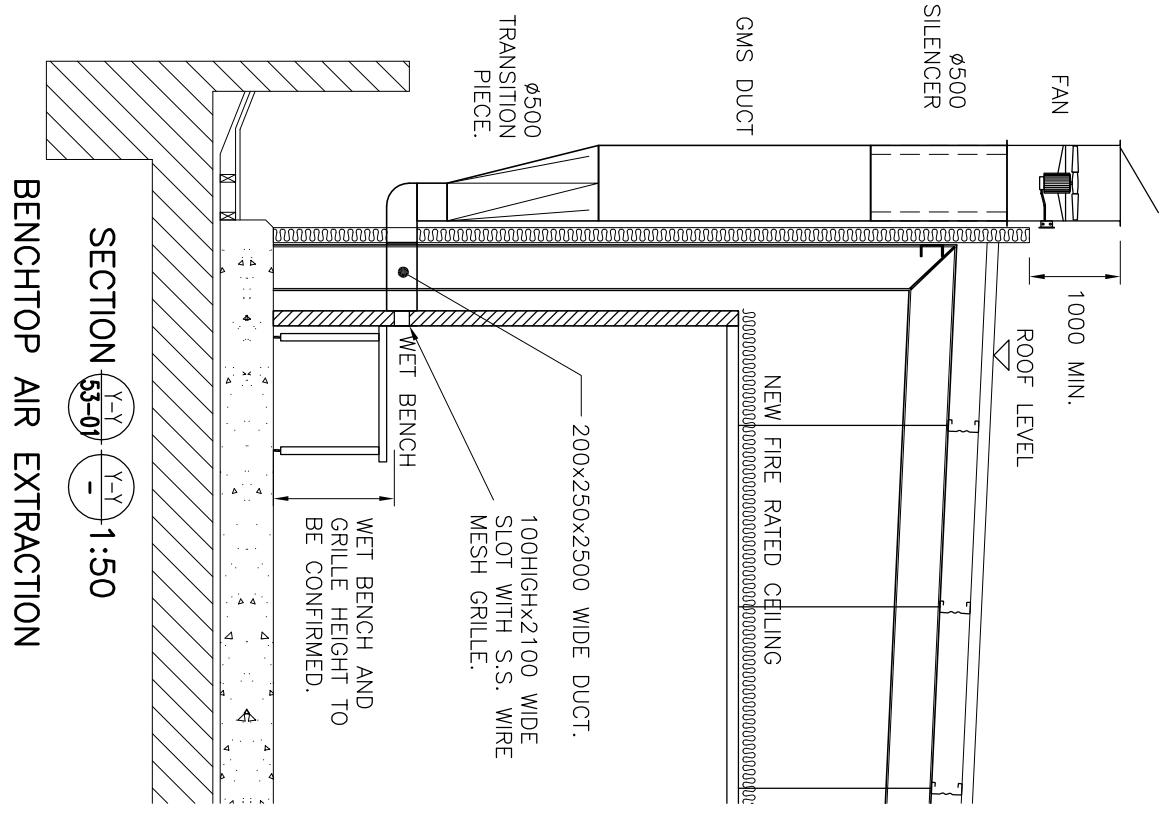
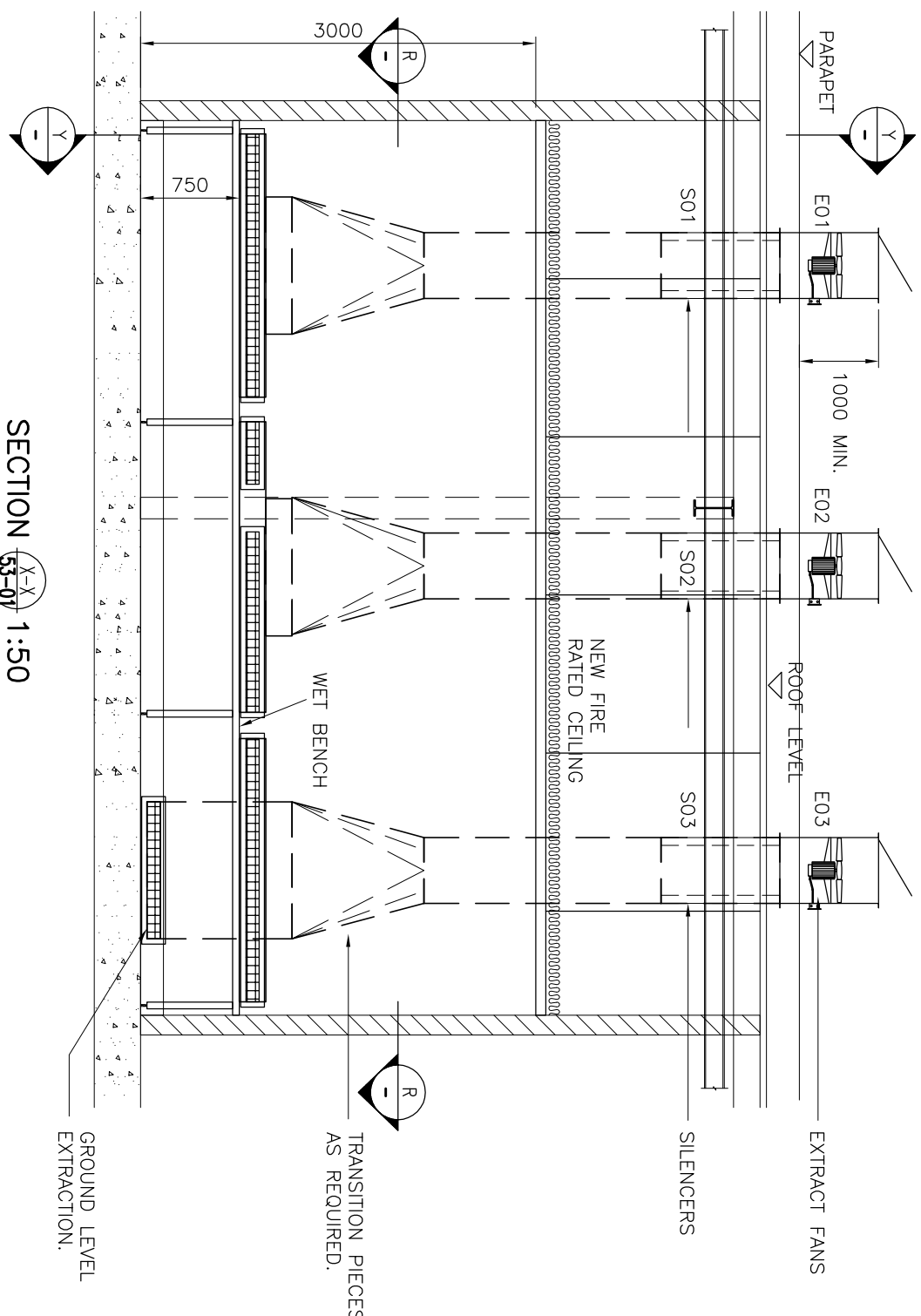
in association with

PRELIMINARY

THE CONTRACTOR SHALL INSTALL ALL SUITABLE SIGNAGE FOR STRUCTURES AND MACHINERY TO COMPLY WITH THE HEALTH AND SAFETY REGULATIONS 1995 AND ALL OTHER STATUTORY REQUIREMENTS. ALL CONSTRUCTION MUST BE SUPERVISED AND STATUTORY REGULATIONS AND CONSENTS OBTAINED AND COMPLIED WITH. THESE DRAWINGS MUST BE READ IN CONJUNCTION WITH THE SPECIFICATION. THE CONTRACTOR SHALL CHECK ALL DIMENSIONS ON SITE, USE TAPED DIMENSIONS ONLY. CONFORM WITH ASHLE-GUIDE LTD.

project	PROPOSED LAB EXTRACTION DUCTWORK DETAILS		
scale	1:50 (A3)	date	01.12.03.
drawing no.	3081/53/02	sheet	3

Any use of this drawing is forbidden without Client's consent



ALL DUCTS TO BE SELF SUPPORTED BY STAND ALONE GMS STEEL STRUCTURE. ALL DUCTWORK TO BE FULLY WATERTIGHT AND AIRTIGHT.

NOTES:

- ALL VENTILATION AND ELECTRICAL COMPONENTS SHALL COMPLY WITH THE NEW ZEALAND BUILDING CODE, HAZARDOUS SUBSTANCE REGULATIONS AND HAZARDOUS ZONINGS FOR CLASS 3 FLAMMABLE GOODS. SIZES INDICATED ARE APPROXIMATE, DETAILED SIZES TO BE CONFIRMED.
- FAN E03 SHALL BE INTERLOCKED WITH LIGHT SWITCH TO BE RUNNING CONTINUALLY WHILST ROOM IS IN OPERATION.
- ALL DRAINAGE FROM WET BENCH SHALL BE DIVERTED TO THE SEALED LABORATORY WASTE TANK LOCATED AS SHOWN. THE LABORATORY WASTE TANK MUST BE EMPTIED AT THE END OF EACH DAY AND MUST NOT BE LEFT IN THE LABORATORY OVERNIGHT.
- ALL FANS AND VENTILATION SYSTEMS SHALL BE INSPECTED AND MAINTAINED AS A MINIMUM ON AN ANNUAL BASIS OR OTHERWISE AS PER THE MANUFACTURERS INSTRUCTIONS.
- GROUND LEVEL EXTRACTING SHALL BE INSTALLED FROM LIGHT SWITCH AND FAN PURGED FOR 2 MINUTES AT MAXIMUM VELOCITY PRIOR TO ELECTRICAL SOURCES BEING ACTIVATED. (REFER SPECIFICATION)